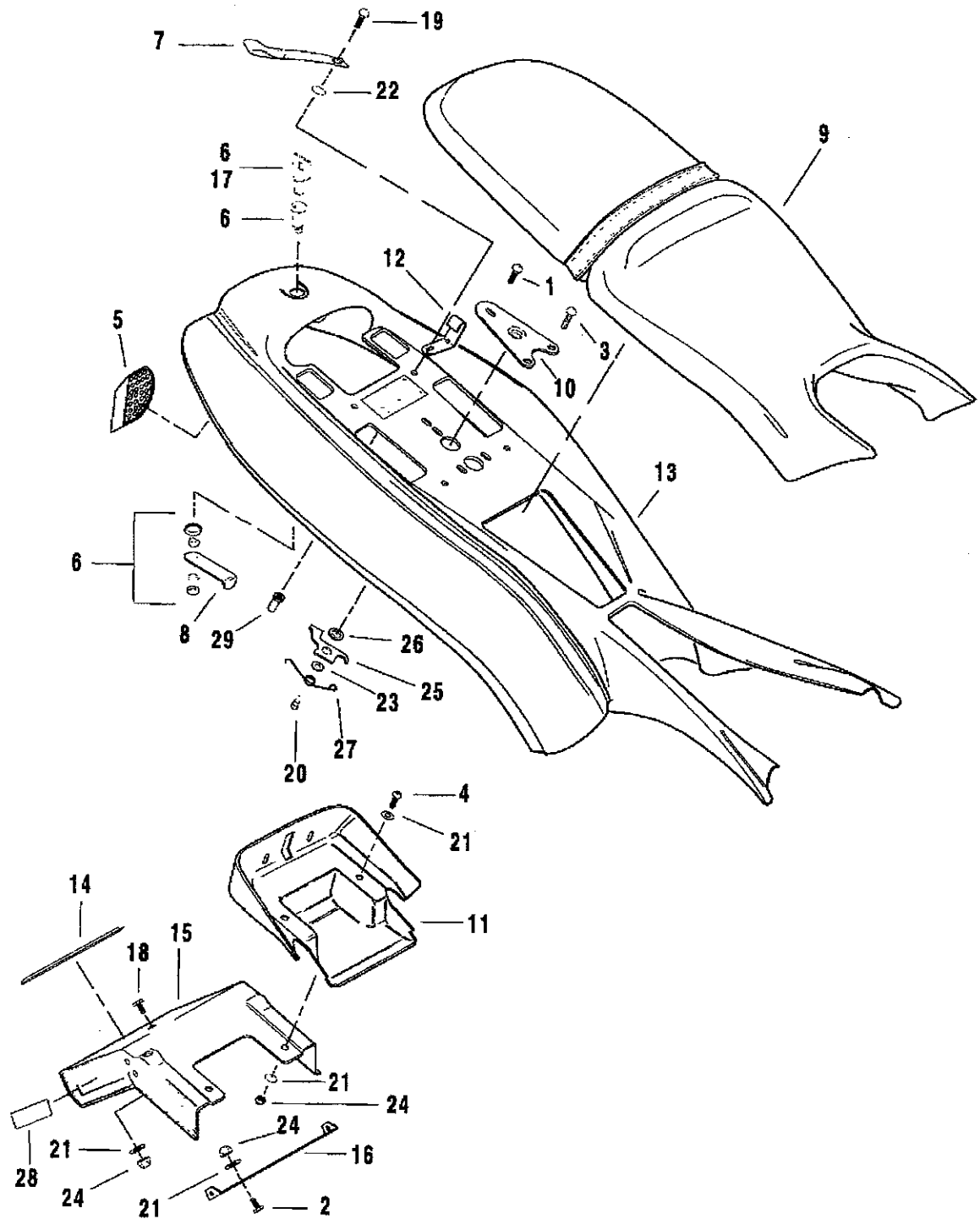


# SEAT, TAIL SECTION & LICENSE PLATE HOLDER



## SEAT, TAIL SECTION &amp; LICENSE PLATE HOLDER

INDEX NO.	PART NO.	DESCRIPTION	MODELS
1	2860Y	SCREW	2000*-S3/S3T
2	2969Y	BOLT (2)	2000*-S3/S3T
3	3650Y	SCREW, self-tapping (2)	2000*-S3/S3T
4	3794Y	BOLT (2)	2000*-S3/S3T
	7697Y	JAMNUT, seat latch pin (not illustrated)	2000*-S3/S3T
5	M1052.B	SCREEN KIT, rear vent (left & right)	2000*-S3/S3T
6	32673-97Y	IGNITION SWITCH & LOCK SET w/keys (fork, ignition & seat)	2000*-S3
	32674-97Y	IGNITION SWITCH & LOCK SET w/keys (fork, ignition, seat & saddlebags)	2000*-S3T
7	M0099.M	BUNGEE CORD LOOP	2000*-S3/S3T
8	52317-98Y	SEAT LOCK TANG	2000*-S3/S3T
9	52374-99Y	SEAT, complete	2000*-S3/S3T
	52375-97Y	PIN, seat latch (not illustrated)	2000*-S3/S3T
10	52376-97Y	SEAT STRIKE PLATE	2000*-S3/S3T
	52389-98Y	PULLWIRE, SEAT LATCH - remote (not illustrated)	2000*-S3/S3T
11	53770-97Y	GLOVE BOX	2000*-S3/S3T
12	53771-97Y	BRACKET, helmet holder (2)	2000*-S3/S3T
13	59842-99Y	TAIL SECTION, rear (primed)	2000-S3/S3T
	59842-99YYA	TAIL SECTION (billet metallic)	2000-S3/S3T
	59842-99YYB	TAIL SECTION (carbon black)	2000-S3/S3T
	59842-99YYE	TAIL SECTION (amazon green)	2000-S3/S3T
	59842-99YYX	TAIL SECTION (demon blue)	2000-S3/S3T
	M1664.01A5YB	TAIL SECTION KIT (carbon black)	2001-S3/S3T
	M1664.01A5YD	TAIL SECTION KIT (blue streak)	2001-S3/S3T
	M1664.01A5YU	TAIL SECTION KIT (reactor yellow)	2001-S3/S3T
	M1664.01A5YAT	TAIL SECTION KIT (volcano grey)	2001-S3/S3T
14	59988-72	REFLECTOR (red)	2000*-S3/S3T
15	60043-97YB	LICENSE PLATE HOLDER	2000*-S3/S3T
16	68509-97Y	BRACKET, support - turn signal	2000*-S3/S3T
17	71452-91A	KEY (specify four-digit key code)	2000*-S3/S3T
18	AA0408.9CDZ	BOLT	2000*-S3/S3T
19	AA0408.11CDBL	SCREW (4)	2000*-S3/S3T
20	AA0502.20CZ	SHOULDER BOLT, seat latch	2000*-S3/S3T
21	BA0409.1Z	WASHER (7)	2000*-S3/S3T
22	BA0409.6BL	WASHER, plastic (5)	2000*-S3/S3T
23	BA0511.2Z	WASHER, seat latch	2000*-S3/S3T
24	DA0400.10CZ	LOCKNUT (5)	2000*-S3/S3T
25	M0080.BA	SEAT LATCH	2000*-S3/S3T
26	M0082.9	BUSHING, seat latch	2000*-S3/S3T
27	M0083.9	SPRING, seat latch	2000*-S3/S3T
28	M0103.2	REFLECTOR (red) (2) (DOM only)	2000*-S3/S3T
29	M0705.3	WELL-NUT (4)	2000*-S3/S3T