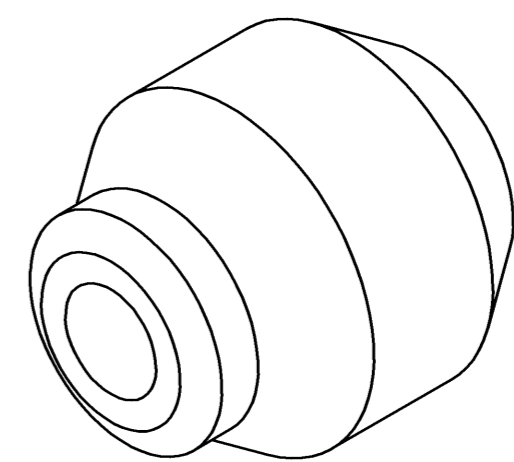
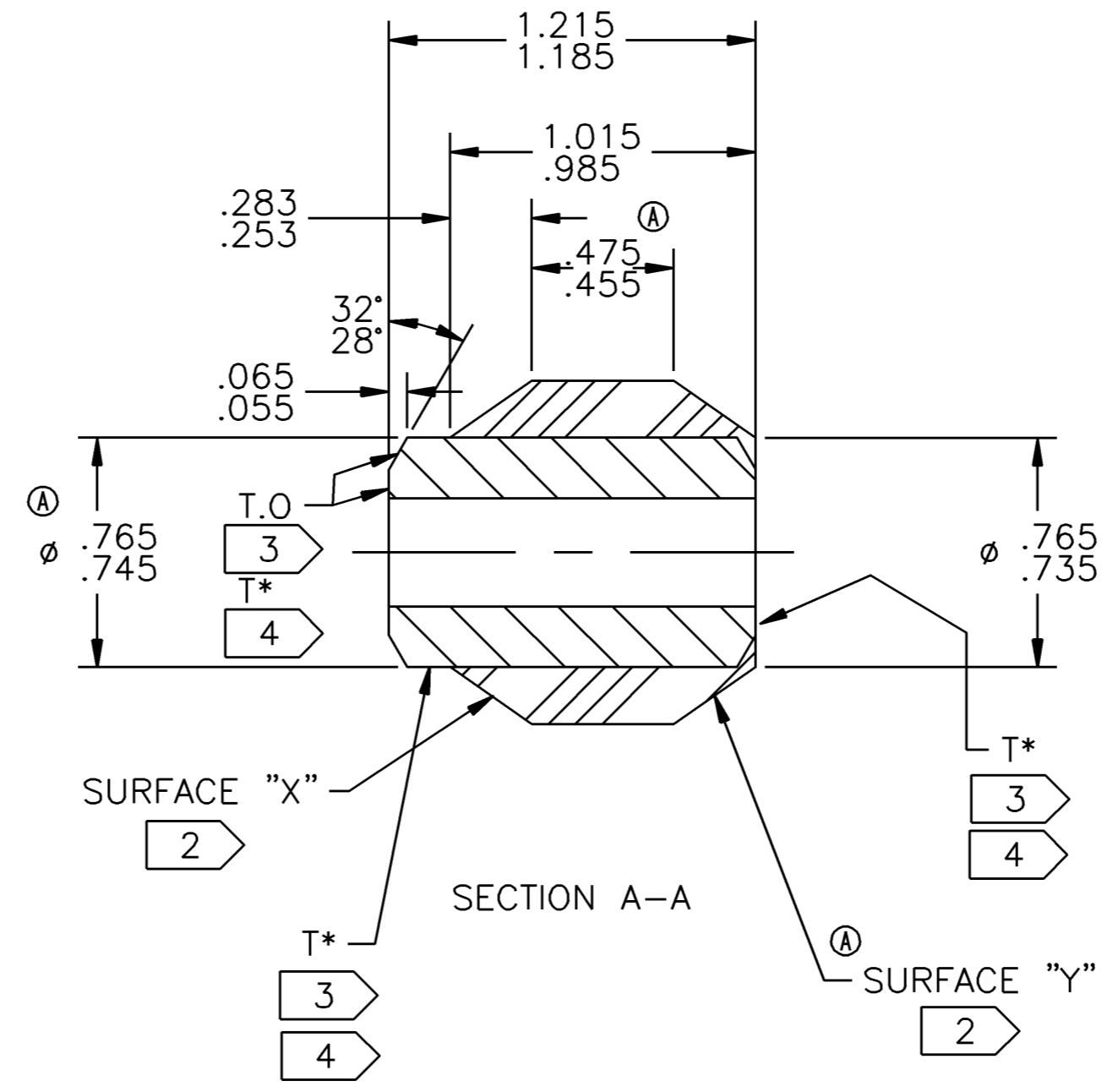
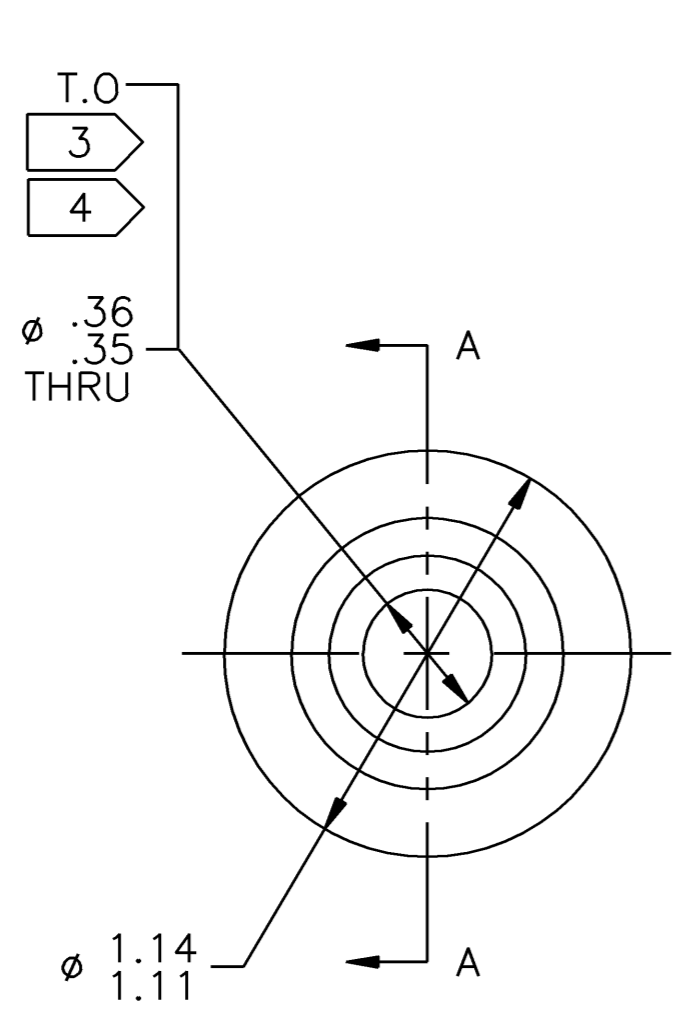


THE INFORMATION CONTAINED HEREIN IS PROPRIETARY TO LORD CORPORATION AND SHALL NOT BE REPRODUCED OR DISCLOSED IN WHOLE OR IN PART OR USED FOR ANY DESIGN OR MANUFACTURE EXCEPT WHEN SUCH USER POSSESSES DIRECT, WRITTEN AUTHORIZATION FROM LORD CORPORATION.

LET.	ALTERATION	DR.	CK.
A	39030	DDR	KJH 6/5/2000



NOTES: (UNLESS OTHERWISE SPECIFIED)

- 1. MATERIAL:  
INNER MEMBER - ALUMINUM  
ELASTOMER - NEOPRENE GNA

- ② LORD IDENTIFICATION EMBOSSED ON SURFACE "X" AND SURFACE "Y".
- ③ SURFACES MARKED T\* MAY HAVE A TIGHT SKIN OF ELASTOMER.  
SURFACES MARKED T.O TO BE FREE OF ELASTOMER.
- ④ SURFACES MARKED T.O TO BE FREE OF ADHESIVE OVERSPRAY.  
SURFACES MARKED T\* MAY HAVE ADHESIVE OVERSPRAY.

J-3830-122  
PART NO.

UNLESS OTHERWISE SPECIFIED		<b>LORD</b> ® MECHANICAL PRODUCTS Erie, Pa. 16514-0040	
F.M.P. = FOR MANUFACTURING PURPOSES ALL DIMENSIONS ARE TO POINTS OF INTERSECTION DIMENSIONING/TOLERANCING PER ASME Y14.5M - 1994 ABBREVIATIONS, ACRONYMS, TERMINOLOGY PER TS-027 MACHINED SURFACES = 250 MICRONS BREAK ALL SHARP EDGES AVERAGING OF DIAMETERS NOT PERMISSIBLE ALL DIMENSIONS ARE IN INCHES DIMENSIONS IN ( ) ARE IN MILLIMETERS		DR. D.D.RICHARDSON 5/11/2000 BY CKD. K.J.HEDDERICK 5/11/2000 BY ENGR. S.K.THOMPSON 5/11/2000 APPR. MFG. R.S.RUSNAK 5/11/2000 APPR. Q.E. N.R.WOOD 5/11/2000 APPR.	
CALC. WT. (LB.)	.06	CAGE	76005
ELASTOMER VOL (CU. IN.)	- - - -	SIZE	C
		DRAWING NO.	J - 3830 - 122
		REV	A
		SH	1 OF 1