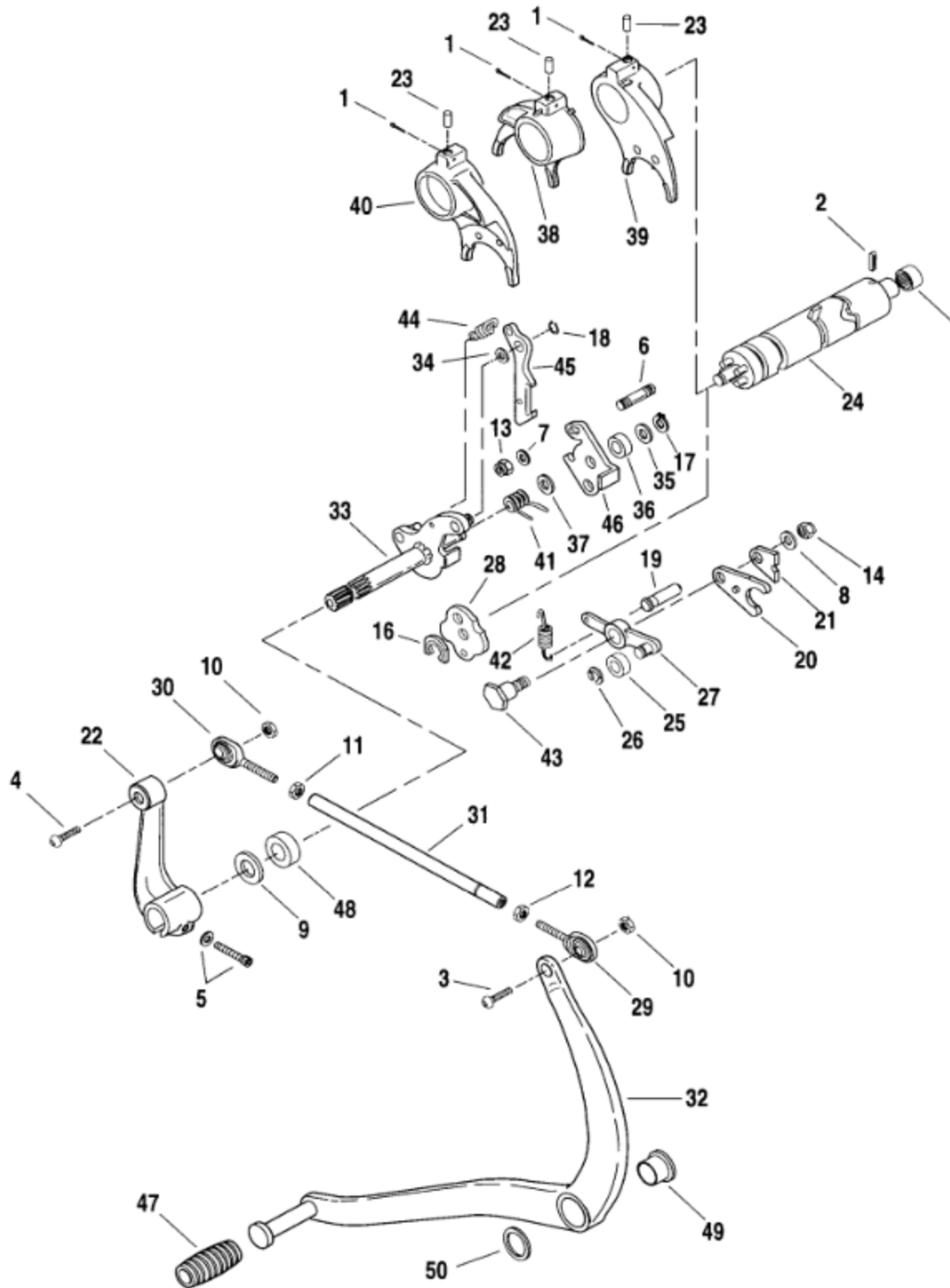


98 M2 Shifter

Friday, January 01, 2016

7:57 AM

M2 KSHW Cyclone (1998) : SHIFTER



M2 KSHW Cyclone (1998) : SHIFTER

Ref #	Part Number	Qty.	Description
1	518	3	COTTER PIN
2	601	1	ROLL PIN
3	2861Y	1	SCREW, 1/4-20 X 7/8 socket button hd. (zincplated)
4	2866Y	1	SCREW, 1/4-20 X 1-1/2 hex socket buttonhd., zinc
5	4741A	1	SCREW, 1/4-20 X 1, hex socket hd., sems,locking, zinc
6	5226B	2	STUD
7	6016	2	WASHER, 11/32 X 11/16 X 1/16
8	6099	3	WASHER, 1/4 X 7/16 X 1/16
9	7019	1	WASHER, 1/2 X 3/4 X 1/4 (rubber)
10	7528Y	2	LOCKNUT, 1/4-20, hex, staked, zinc
11	7533Y	1	JAMNUT, 1/4-28, LH, hex, zinc
12	7534Y	1	JAMNUT, 1/4-28, hex, zinc
13	7683	2	LOCKNUT, 1/4-28, hex
14	7739	1	LOCKNUT, 5/16-18, hex, cadmium, Gr. 5
15	9151	1	BEARING, closed end
16	11019	1	RETAINING RING
17	11031	1	RETAINING RING
18	11185	1	RETAINING RING
19	24530-90	1	PIN, spring
20	33178-98	1	PLATE, shift drum
21	33204-98	1	PLATE, reinforcement, shift drum
22	33315-94Y	1	SHIFT LEVER, front
23	33319-90	3	ROLLER
24	33634-91	1	SHIFTER DRUM ASM., w/#2
25	33652-90	1	ROLLER, detent
26	33653-90	1	RETAINING RING
27	33655-90	1	DETENT ARM
28	33656-90	1	PLATE, detent
29	33806-94Y	1	ROD END, male
30	33807-94Y	1	ROD END, male (L.H. thread)
31	33812-96Y	1	SHIFT ROD
32	33813-97Y	1	SHIFT LEVER
33	34015-91	1	SHIFTER SHAFT
34	34073-91	1	SPACER, pawl
35	34075-89	1	WASHER
36	34076-89	1	BUSHING
37	34077-91	1	WASHER
38	34142-89C	1	SHIFTER FORK, first & second
39	34144-89C	1	SHIFTER FORK, third & fifth
40	34147-89C	1	SHIFTER FORK, fourth
41	34481-91A	1	SPRING
42	34483-90	1	SPRING
43	34486-90	1	SCREW, detent arm
44	34491-91	1	SPRING
45	34492-91	1	SHIFTER PAWL
46	34560-91	1	BASEPLATE
47	34670-97Y	1	SHIFTER PEG RUBBER
48	37101-84	1	OIL SEAL
49	42245-94Y	1	BUSHING
50	50510-94Y	1	THRUST WASHER