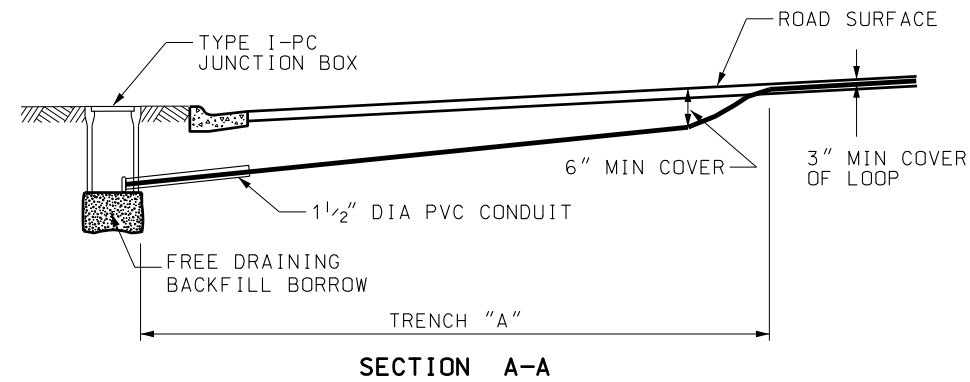
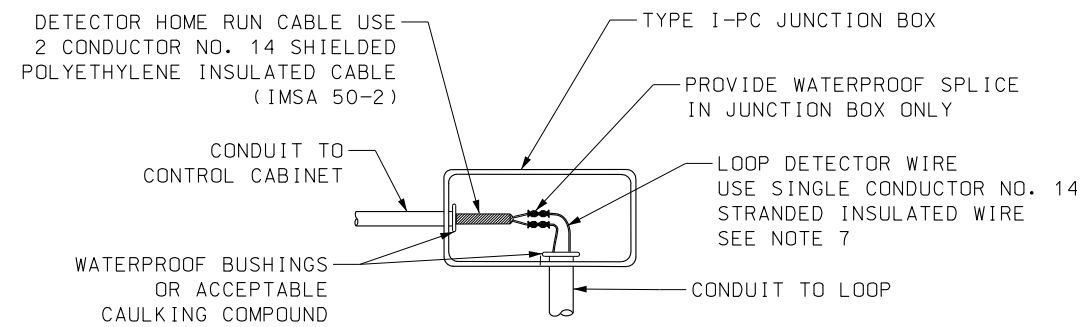
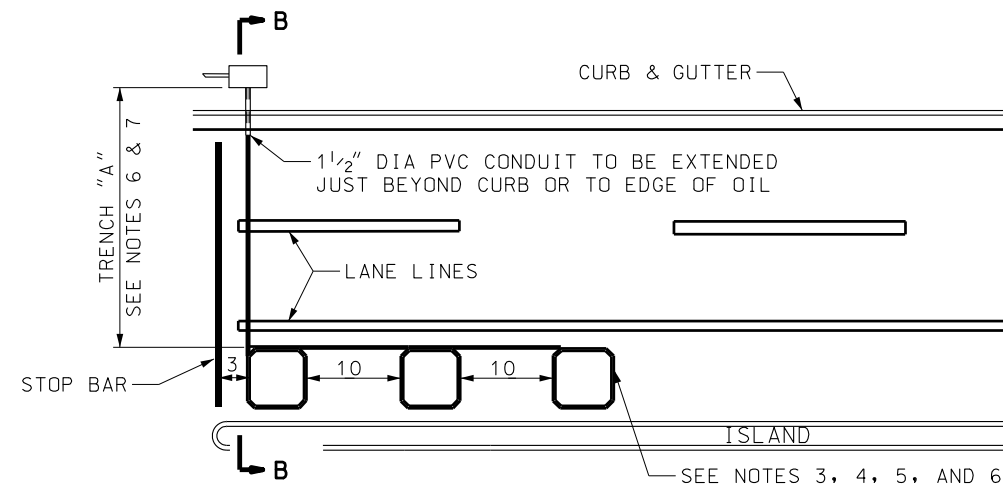
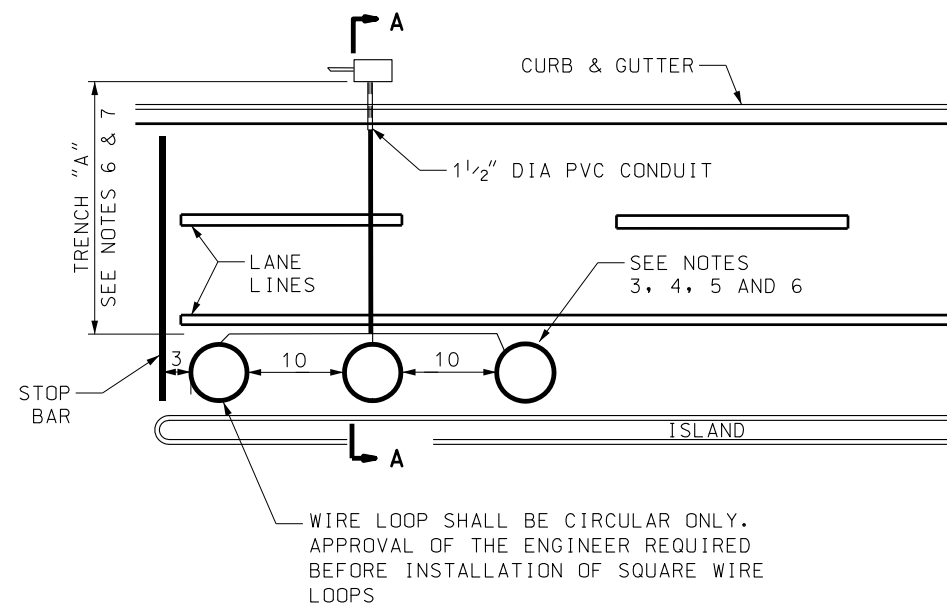
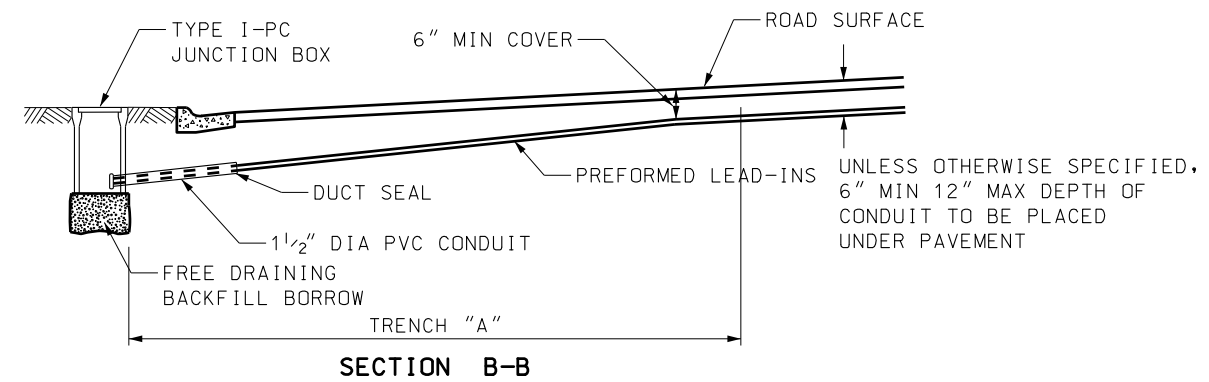


**PREFORMED LOOP OR WIRE LOOP DETAIL
(CONCRETE ONLY)**



**PREFORMED LOOP DETAIL
(ASPHALT OR UNDER NEW CONCRETE)**



LEAD-IN/HOME RUN SPLICE DETAIL

NOTES:

- BACKFILL TRENCH WITHIN 8 HOURS OF TRENCHING WITH SPECIFIED MATERIALS.
- USE SCHEDULE 40 PVC CONDUIT.
- SAW CUT 1/2" MAXIMUM WIDTH, INSTALL ALL CONDUCTORS IN SAW CUT. PLACE CABLE OR WIRE AT BOTTOM OF DRY SLOT. USE EPOXY SEAL WHICH DOES NOT CONTAIN ACETONE SOLVENT TO CLOSE SAW CUT. DO NOT USE WIRE LOOPS IN ASPHALT OR UNDER NEW CONCRETE.
- USE 4 TURNS OF SINGLE CONDUCTOR #14 AWG CABLE ON ALL LOOPS 6' X 12' AND SMALLER. DO NOT TWIST WIRES IN LOOP.
- SEE PLAN SHEETS FOR DETECTOR LOOP LOCATION. IF A DETECTOR LOOP LOCATION IS IN CONFLICT WITH A MANHOLE, WATER VALVE, OR PAVEMENT EXPANSION JOINT, ADJUST THE LOOP PLACEMENT FORWARD OR BACKWARD IN THE SHORTEST DIRECTION FROM THE OPTIMUM POSITION.
- DO NOT SPLICE THE TRAFFIC SIGNAL FIELD WIRE EXCEPT THE JUNCTION BOX LOOP WIRE CONNECTIONS. TAG AND NUMBER EACH LOOP WIRE IN CONFORMANCE WITH THE DESIGN. PLACE LOOP DETECTOR WIRE COUNTER CLOCKWISE.
- TWIST WIRES BETWEEN LOOP AND JUNCTION BOX (TRENCH "A"). USE AT LEAST ONE TWIST PER FOOT IN SAW CUTS AND AT LEAST THREE TWISTS PER FOOT IN CONDUIT. FOR SAW-CUT LOOP INSTALLATIONS, USE SINGLE CONDUCTOR NO. 14 STRANDED TYPE XLPE OR XHHW WIRE (IMSA 51-7). FOR PVC CONDUIT INSTALLATIONS, USE SINGLE CONDUCTOR NO. 14, STRANDED TYPE XHHW WIRE (IMSA 51-3).
- INSPECT AND TEST ALL LOOPS.
- DO NOT HOOK UP MORE THAN 4 LOOPS TO THE SAME HOMERUN CABLE OR AMPLIFIER CHANNEL.

UNLESS OTHERWISE SPECIFIED,
6" MIN 12" MAX DEPTH OF
CONDUIT TO BE PLACED
UNDER PAVEMENT

REVISIONS

NO.	DATE	APPR.	REMARKS

UTAH DEPARTMENT OF TRANSPORTATION
STANDARD DRAWINGS FOR ROAD AND BRIDGE CONSTRUCTION

RECOMMENDED FOR APPROVAL
CHAIRMAN STANDARDS COMMITTEE
DATE: JAN. 01, 2008
APPROVED: [Signature]
DEPUTY DIRECTOR: [Signature]

TRAFFIC SIGNAL
LOOP DETECTOR
DETAILS

STANDARD DRAWING TITLE

STD DWG
SL 11