

## DRIVE SYSTEM KIT

### GENERAL

#### Kit Number

G1400.1AA

#### Models

For the most up-to-date model fitment information, see product label or [www.buell.com](http://www.buell.com) (English only).

#### Additional Parts Required

### WARNING

The rider's safety depends upon the correct installation of this kit. Use the appropriate service manual procedures. If the procedure is not within your capabilities or you do not have the correct tools, have a Harley-Davidson dealer perform the installation. Improper installation of this kit could result in death or serious injury. (00333a)

### NOTE

This instruction sheet references service manual information. A service manual for your model motorcycle is required for this installation and is available from a Harley-Davidson Dealer.

#### Kit Contents

See Figure 1 and Table 1.

### INSTALLATION

1. Refer to the appropriate sections of the service manual to install the drive system.

### SERVICE PARTS

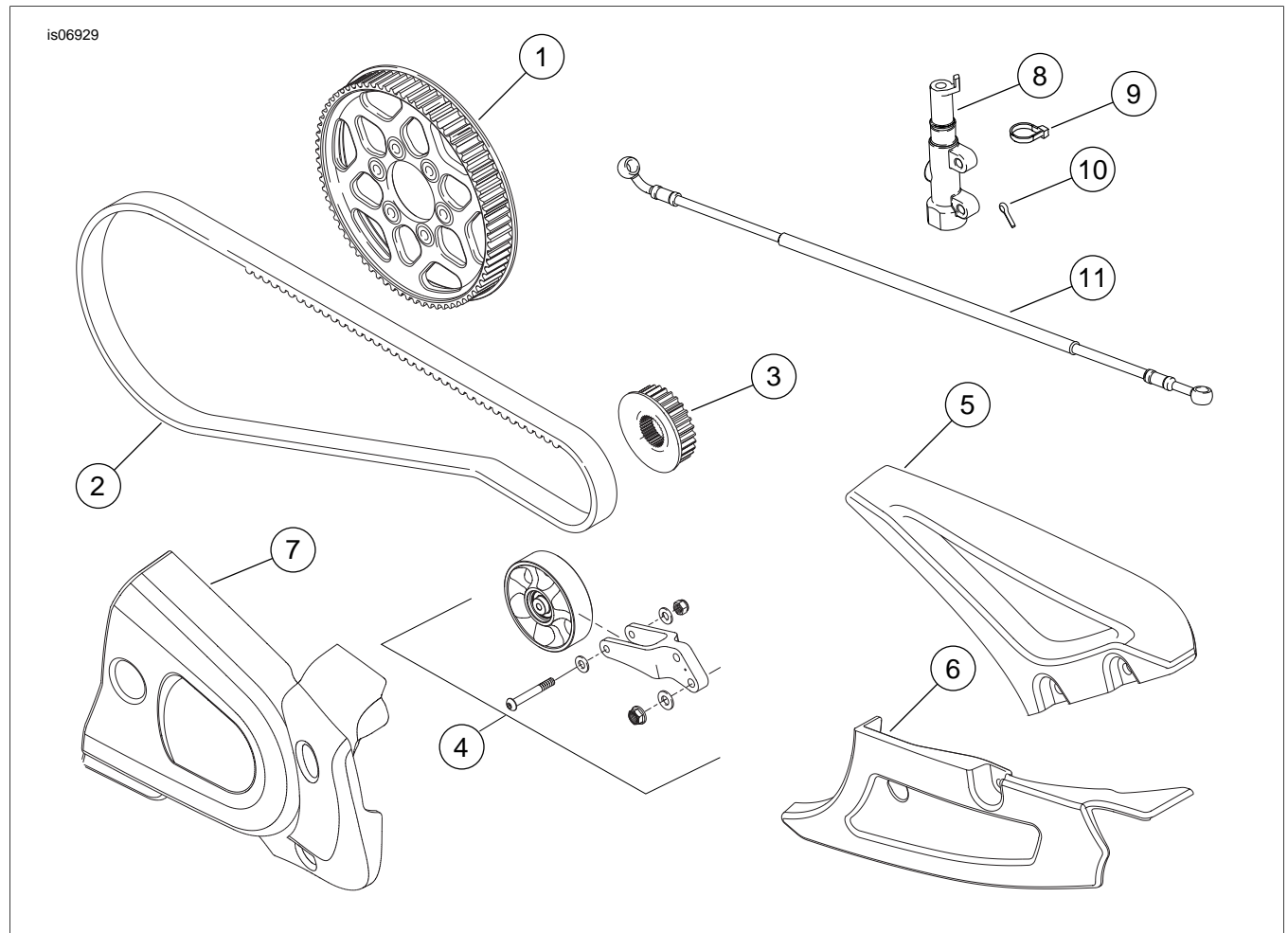


Figure 1. Service Parts: Drive System Kit

**Table 1. Service Parts Table**

<b>Item</b>	<b>Description (Quantity)</b>	<b>Part Number</b>
1	Rear sprocket	G0400.1AA
2	Drive belt	G0500.1AAH
3	Transmission output sprocket	40288-95
4	Idler pulley assembly	G0604.1AAB
5	Upper belt guard	M0570.1AA
6	Lower belt guard	M0560.1AA
7	Front sprocket cover	G0555.1AAA
8	Rear master cylinder	H0205.1AA
9	Cable strap	Y0303.2B
10	Cotter pin	C0148.T
11	Rear brakeline assembly	H1522.1AA