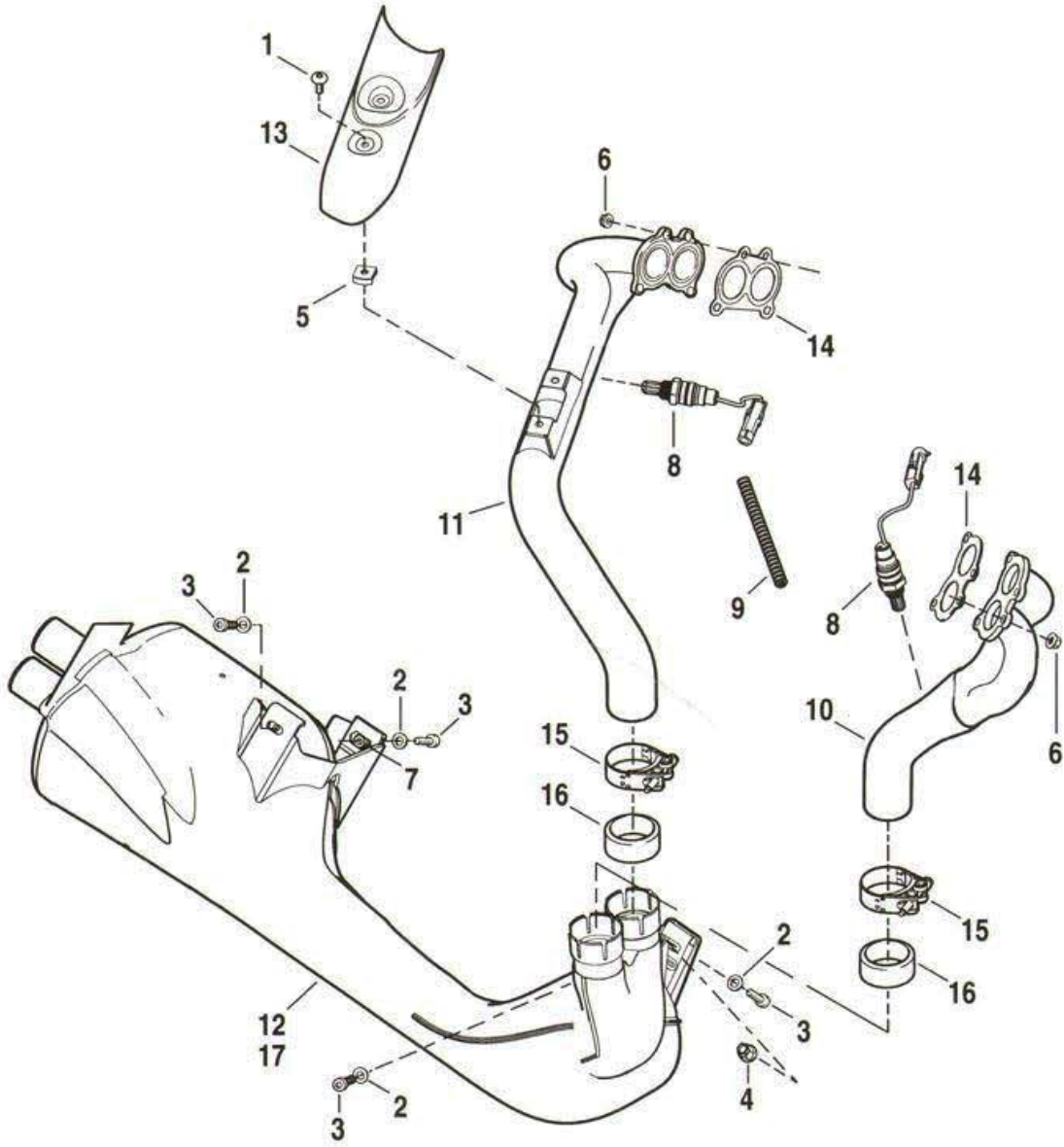


EXHAUST SYSTEM



INDEX NO.	PART NO.	DESCRIPTION	MODEL(S)
1	A06010.3CSS	SCREW (2)	HL/YL
2	B0816.2BL	WASHER (4)	HL/YL
3	CA0077.1AM	SCREW (4)	HL/YL
4	CD0026.1AM	NUT	HL/YL
5	CD0029.1AM	NUT, speed (2)	HL/YL
6	D0700.12CBL	NUT (8)	HL/YL
7	D0800.12CCBL	NUT (3)	HL/YL
8	P0277.5AA	SENSOR, oxygen, front (2)	HL/YL
9	C0374.2AM	CONVOSHIELD, oxygen sensor	HL/YL
10	S0101.2AM	HEADER ASSEMBLY, front	HL/YL
11	S0102.2AM	HEADER ASSEMBLY, rear	HL/YL
12	S0110A.1AMA	MUFFLER ASSEMBLY, no catalyst w/ D0800.12CCBL (DOMESTIC, AUSTRALIA, CANADA,)	HL/YL
13	S0175.2AMA	HEAT SHIELD, header	HL/YL
14	S0181.1AM	GASKET, header (2)	HL/YL
15	S0183.1AM	CLAMP (2)	HL/YL
16	S0185.1AMC	GASKET (2)	HL/YL

INTERNATIONAL MODELS ONLY

17	S0110.1AMJ	MUFFLER ASSEMBLY, w/ catalyst & D0800.12CCBL (ENGLAND, EUROPE, FRANCE, HDI, CALIFORNIA)	HL/YL
----	------------	---	-------