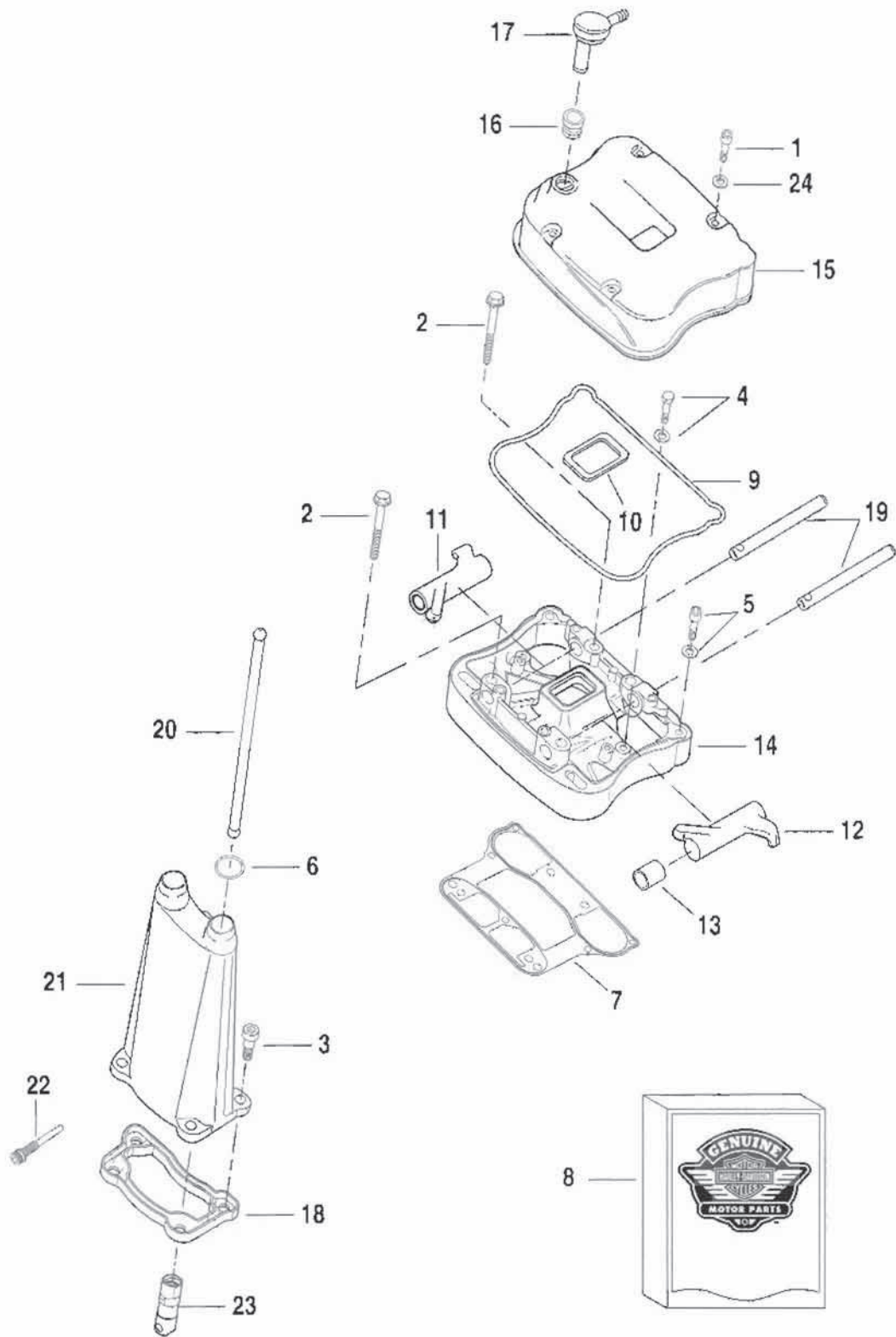


ROCKER ARMS, COVERS & PUSH RODS



ROCKER ARMS, COVERS & PUSH RODS

| INDEX NO. | PART NO. | DESCRIPTION | MODEL(S) |
|-----------|------------|---|----------|
| 1 | 882 | SCREW (4) | KP |
| 2 | 1039 | SCREW, hex flange head, w/ locker (4) | KP |
| 3 | 3299Y | SCREW, w/ washer (4) | KP |
| 4 | 3849 | SCREW, w/ washer (3) | KP |
| 5 | 4718A | SCREW, w/ washer (2) | KP |
| 6 | 11190 | O-RING, push rod cover - upper (2) | KP |
| 7 | 16800-84A | GASKET, rocker cover/cylinder head combined | KP |
| 8 | 17036-91 | GASKET KIT, rocker covers, w/ 8, 9, 11, 12 & 26 | KP |
| 9 | 17362-07 | GASKET, rocker cover - lower | KP |
| 10 | 17695-07 | GASKET, rocker cover - inner | KP |
| 11 | 17360-83A | ROCKER ARM, intake | KP |
| 12 | 17375-83A | ROCKER ARM, exhaust | KP |
| 13 | 17428-57 | BUSHING, rocker arm (4) | KP |
| 14 | 17598-07 | ROCKER COVER, inner | KP |
| 15 | 17605-00YA | ROCKER COVER, top | KP |
| 16 | 17606-00YA | GROMMET | KP |
| 17 | 17607-00Y | PCV VALVE | KP |
| 18 | 17608-00Y | GASKET, push rod cover | KP |
| 19 | 17611-83 | SHAFT, rocker arm (2) | KP |
| 20 | 17984-00YA | PUSH ROD, intake | KP |
| | 17985-00Y | PUSH ROD, exhaust | KP |
| 21 | 17986-00Y | COVER, push rod | KP |
| 22 | 18532-00A | SCREW, tappet anti-rotation (2) | KP |
| 23 | 18538-99B | HYDRAULIC LIFTER (2) | KP |
| 24 | 63858-49 | GASKET (4) | KP |