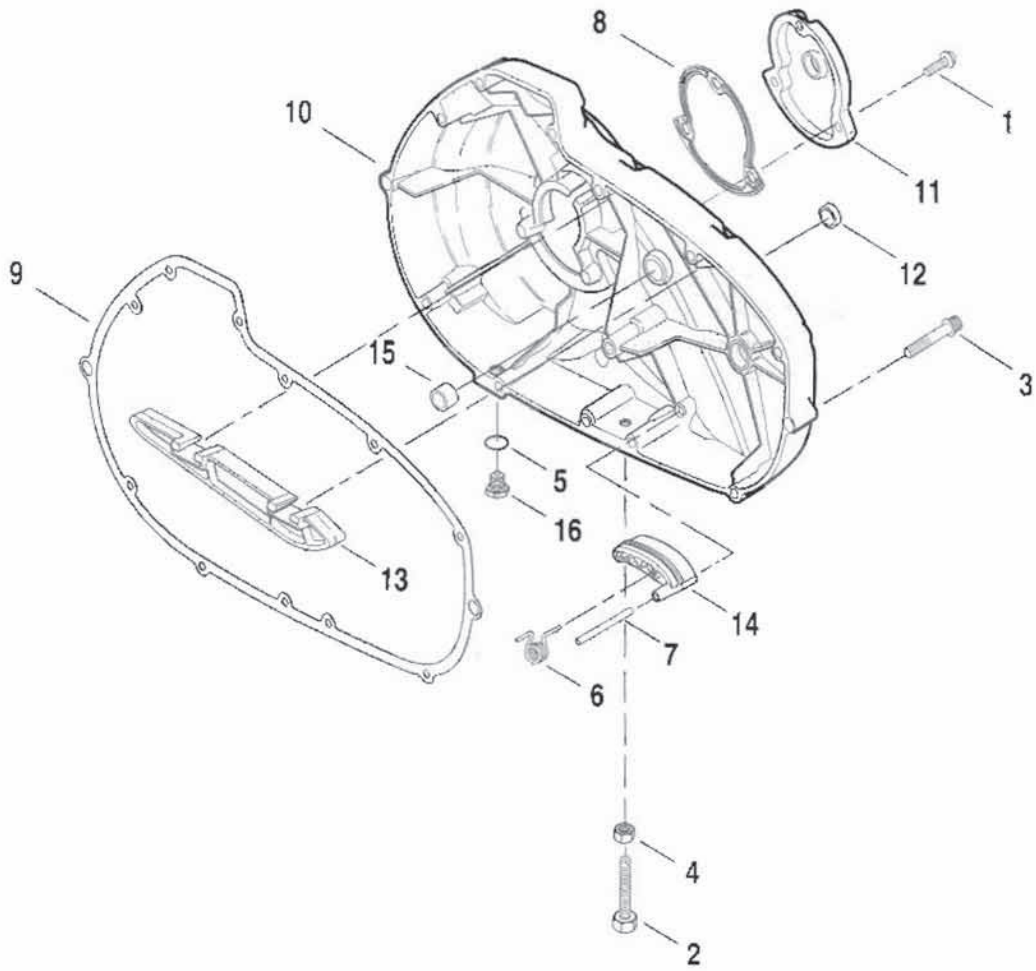


PRIMARY COVER & CHAIN TENSIONER



INDEX NO.	PART NO.	DESCRIPTION	MODEL(S)
1	943	SCREW, sems (3)	KP
2	3301Y	BOLT, chain adjustment	KP
3	4820A	SCREW, sems (14)	KP
4	7804	LOCKNUT, chain adjustment	KP
5	11105	O-RING	KP
6	24349-00Y	SPRING, chain tensioner	KP
7	24350-00Y	PIN, chain tensioner	KP
8	25377-03A	GASKET, clutch cover	KP
9	25352-00YA	GASKET, primary cover	KP
10	25521-00Y	PRIMARY COVER, w/ 40520-63 (painted black)	KP
11	25349-03	COVER & GASKET KIT, w/ 25377-03	KP
12	37101-84A	OIL SEAL, shifter shaft	KP
13	39934-00Y	CHAIN GUIDE	KP
14	39922-00Y	SHOE, chain adjuster	KP
15	40520-63	BUSHING	KP
16	60328-98A	DRAIN PLUG KIT, w/ 11105	KP