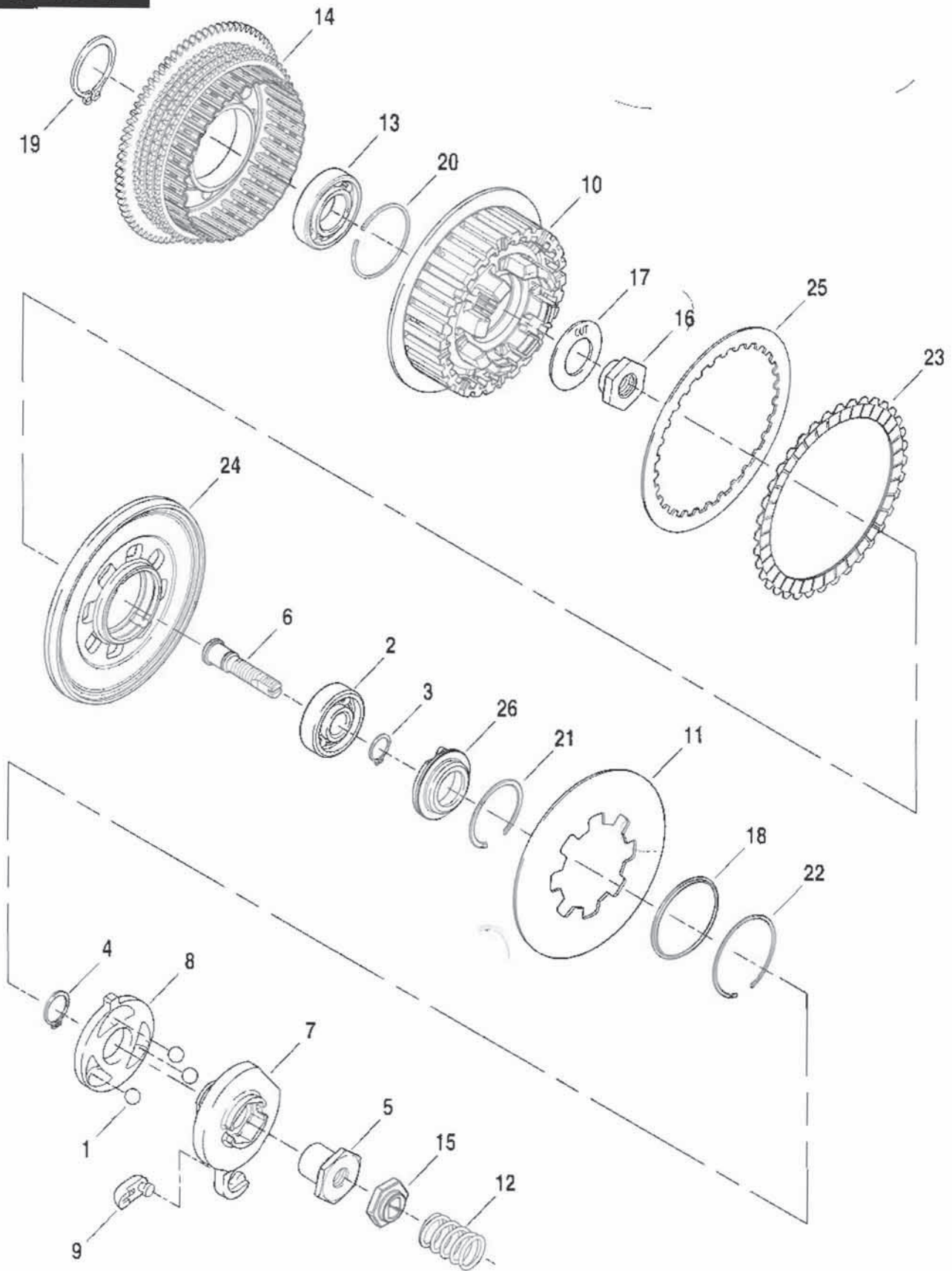


CLUTCH



INDEX NO.	PART NO.	DESCRIPTION	MODEL(S)
1	8873	BALL (3)	KP
2	8885	BEARING	KP
3	11046	RETAINING RING	KP
4	11250	RETAINING RING	KP
5	11730A	NUT	KP
6	11765Y	ADJUSTMENT SCREW	KP
7	25409-94B	RAMP, outer	KP
8	25453-87A	RAMP, inner	KP
9	34920-86A	COUPLING, clutch cable	KP
10	36703-00Y	CLUTCH HUB	KP
11	36708-00Y	SPRING, diaphragm	KP
12	36715-94	SPRING, clutch adjustment	KP
13	36799-91	BALL BEARING	KP
14	36800-00Y	CLUTCH SHELL & SPROCKET, w/ ball bearing & retaining ring	KP
15	36802-84B	LOCKPLATE, well type	KP
16	37495-91	NUT, main shaft	KP
17	37870-91	SPRING WASHER	KP
18	37872-90	SEAT, spring - inner	KP
19	37904-90	RETAINING RING	KP
20	37905-00	RETAINING RING	KP
21	37908-90	RETAINING RING	KP
22	37909-90	RETAINING RING	KP
23	37911-90	FRICITION PLATE, paper (5)	KP
24	37912-91	PRESSURE PLATE	KP
25	37913-90	STEEL PLATE (5)	KP
26	37918-91	RELEASE PLATE	KP