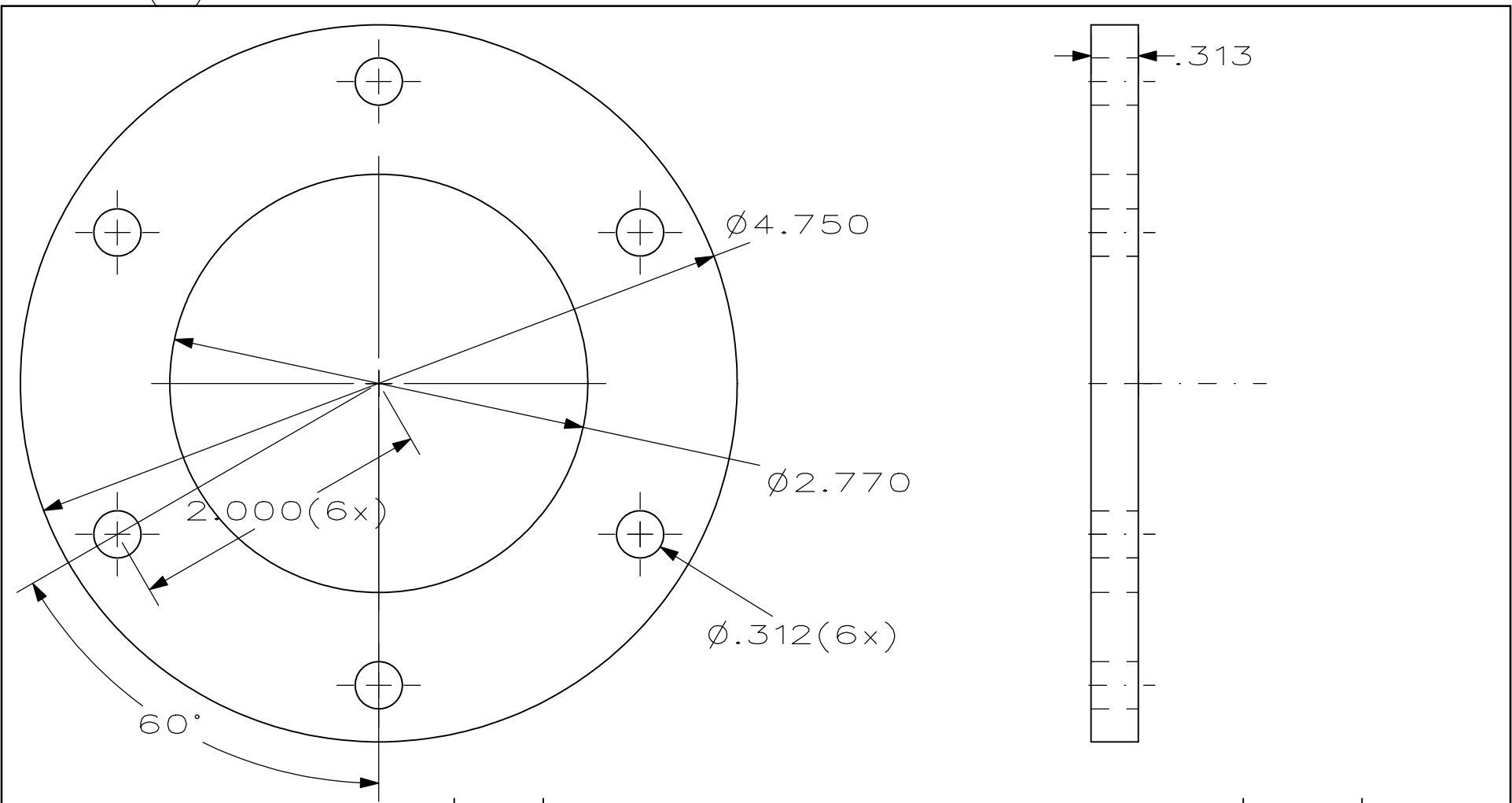


SIZE A(H)



SYM.	REVISIONS	BY	DATE
DO NOT SCALE DRAWING	THIRD ANGLE PROJECTION		
DECIMAL TOLERANCES UNLESS OTHERWISE SPECIFIED: 2-PLACE: 3-PLACE: ANGLES: XXXX XXXX XXXX	DRAWN BY	DATE	TITLE Sprocket Spacer
	APPROVED BY	DATE	
MATERIAL Aluminum	FINISH XXXXXXXX	PART NUMBER	
	UNITS = INCH	SCALE 1:1	SHEET 1 OF 1