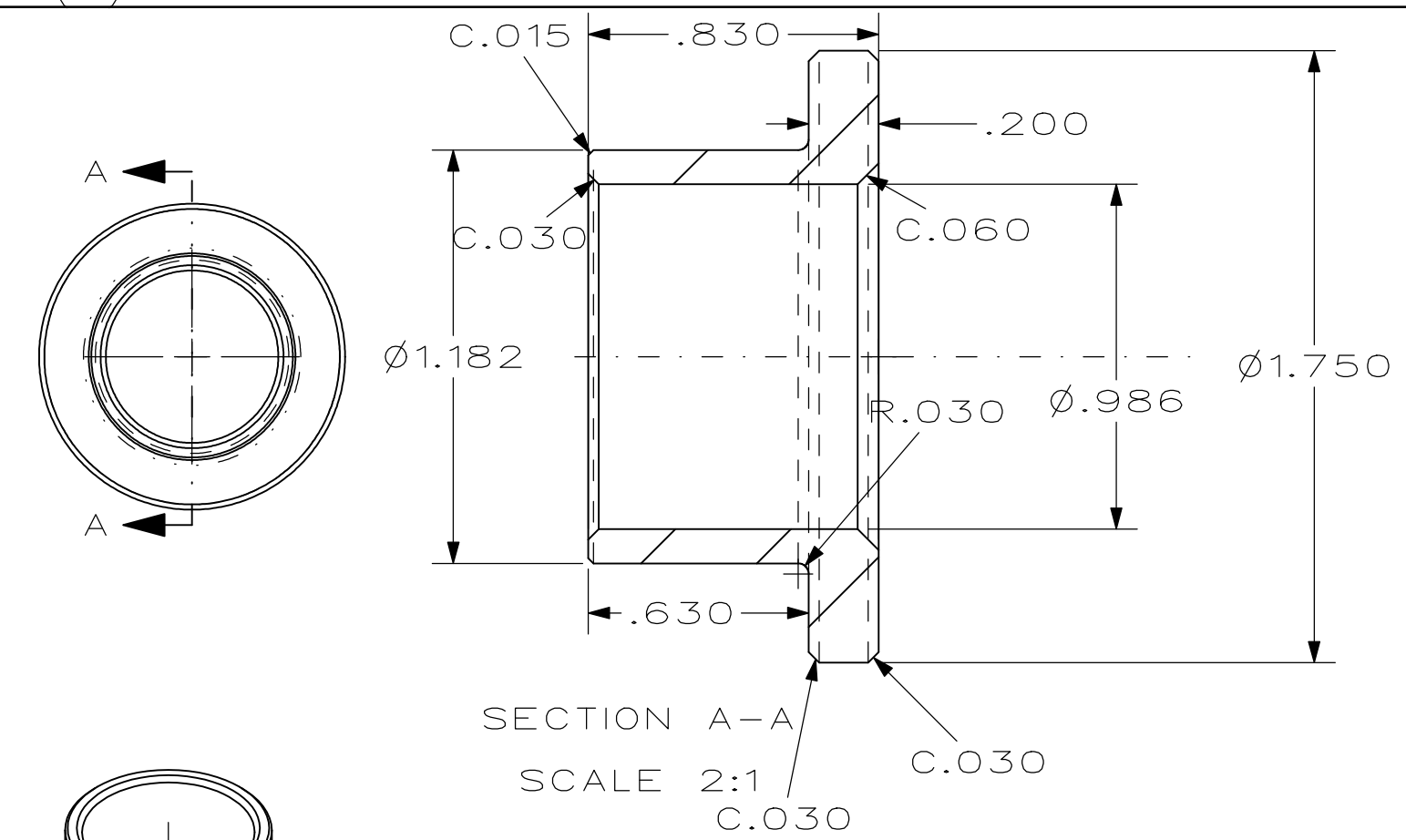
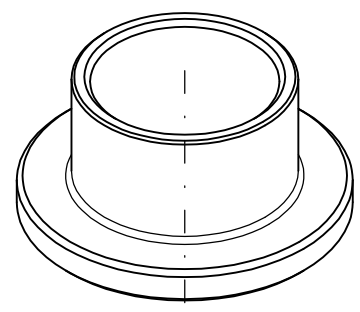


SIZE A(H)



SECTION A-A
SCALE 2:1
C.030



SYM.	REVISIONS		BY	DATE
DO NOT SCALE DRAWING	THIRD ANGLE PROJECTION			
DECIMAL TOLERANCES UNLESS OTHERWISE SPECIFIED: 2-PLACE: 3-PLACE: ANGLES: XXXX XXXX XXXX	DRAWN BY	DATE	TITLE Narrow_Spacer	
	APPROVED BY	DATE		
MATERIAL Aluminum	FINISH XXXXXX		PART NUMBER	
	UNITS = INCH		SCALE 1:1	SHEET 1 OF 1