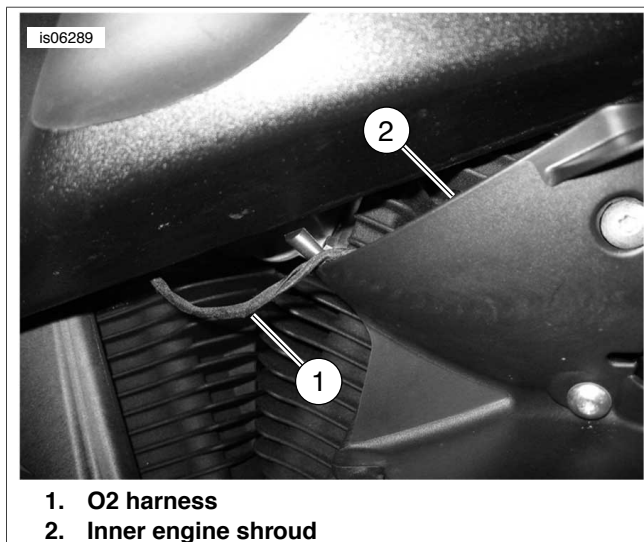


- 1. Inner engine shroud
- 2. Screws (2)

Figure 5. Install Right Side Inner Engine Shroud



- 1. O2 harness
- 2. Inner engine shroud

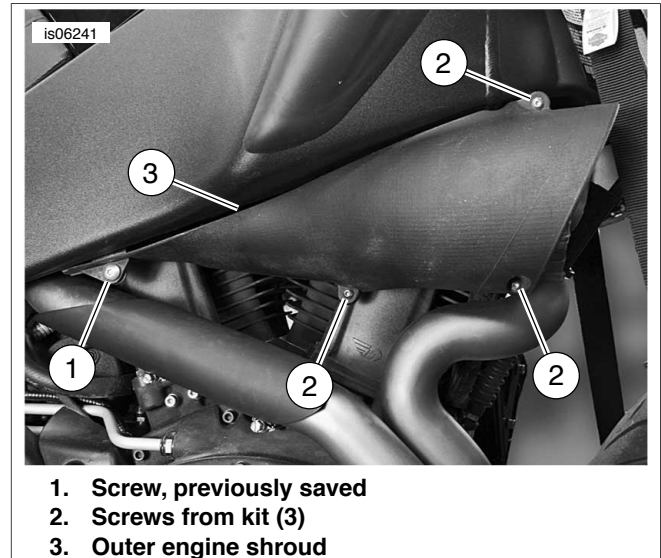
Figure 6. O2 Harness Routing

8. See Figure 5. Install inner shroud (1) with two previously saved screws and washers (2) and tighten to 12-36 **in-lbs** (1.4-4.0 Nm).
9. See Figure 6. Make sure that the O2 is harness (1) being routed outboard of the top rear tab on the inner shroud. This tab prevents the wire from being trapped between the cylinder head and the inner shroud.

10. See Figure 7. Install right side outer engine shroud (3) to the inner shroud using three screws (2) from the kit and one saved previously (1) and tighten to 22-26 **in-lbs** (2.4-3.0 Nm).

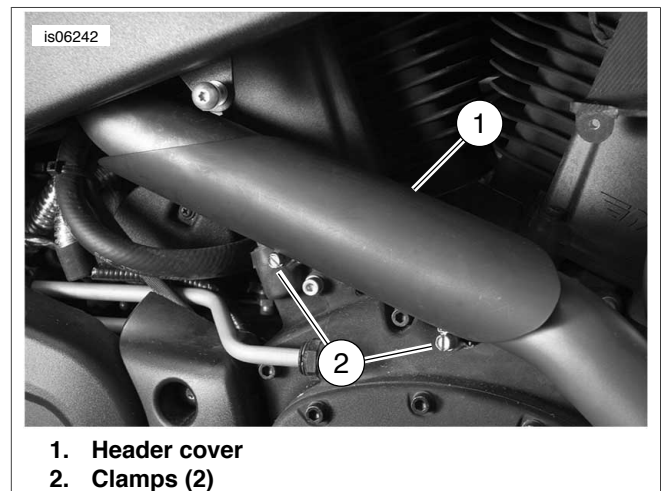
Header Cover

11. See Figure 8. Insert plain end of clamps (2) through the mount clips on the inside of the header cover (1) and attach as shown in Figure 6.



- 1. Screw, previously saved
- 2. Screws from kit (3)
- 3. Outer engine shroud

Figure 7. Install Right Side Outer Engine Shroud



- 1. Header cover
- 2. Clamps (2)

Figure 8. Install Header Cover